



workingwater

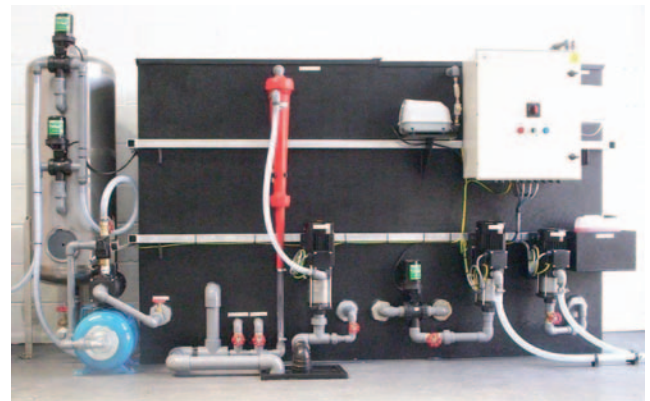
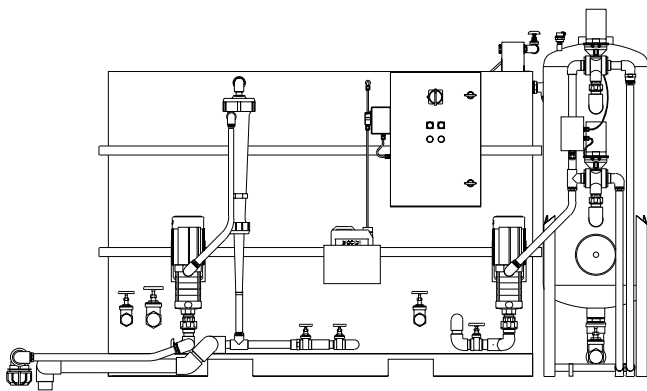


Units H-J, Little Moor Lane, Loughborough, Leicestershire LE11 1SF
t/f: 01509 237 486 e: info@workingwater.co.uk

Water Recycling and Rain Water Harvesting Specialists

Total Water Reclaim Systems

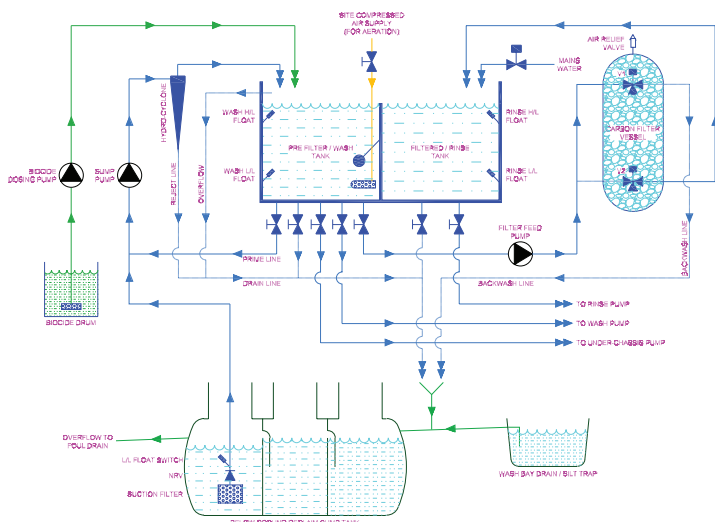
Installing a 'TOTAL' water reclaim system to your wash facility can reduce your mains water costs by up to 95%, alleviate drainage issues, allow washing during drought restrictions, help with planning permission and reduce the impact on the environment. We have a wide range of recycling equipment to suit most applications or we can design a bespoke system to best meet your needs.



System Description

The wash effluent is drained into a below ground interceptor where heavy solids settle out and free oils are held back by the tanks internal baffles. From the interceptor the water is pumped through a hydro-cyclone before being discharged into the Wash Water Storage tank.

The hydro-cyclone removes particles heavier than water and discharges them back to the sump tank to settle out. This water is the 'Wash Water' and is used for all the washing and under-chassis processes. The rinse quality water is produced by taking wash water and pumping it through an activated carbon filter to remove detergents and contaminants. The carbon filter is fitted with an automatic backwash system to ensure maximum efficiency. To reduce bacterial problems, the system is fitted with a biocide dosing system and aeration as standard.



This product is on the Enhanced Capital Allowance (ECA) Scheme's Water Technology List



Authorised User No. 01381



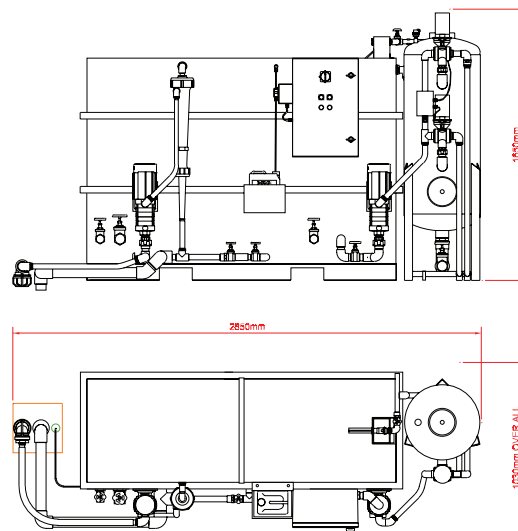
Total Water Reclaim Systems

Systems Includes As Standard

- Compact tank mounted pump design
- Polyethylene tank fabrication
- Interceptor conversion kit
- Recycled & mains water storage tanks
- Sump pump
- Hydro-cyclone filtration
- Type 'A' air gap
- Aeration diffusers
- Activated carbon filter vessel
- Automatic filter backwash valves
- Biocide dosing system with bund
- Automated control system

Layout Drawing

Layout drawing of system TE1-100B



Optional Extras

- Rain water harvesting
- Sand filters
- Interceptor tanks
- Monitoring & alarm systems

STANDARD PLANT DETAILS					
System	Reclaimed Water (m ³ /hour)	Layout L X W X H (metres)	Wash Tank Capacity (litres)	Rinse Tank Capacity (litres)	Delivery Weight (kg)
TE1-100B	6	2.8 x 1.0 x 1.7	650	650	330
TE2-200B	12	2.8 x 1.0 x 1.7	650	650	390
TE3-300B	18	2.8 x 1.0 x 1.7	650	650	450