



workingwater

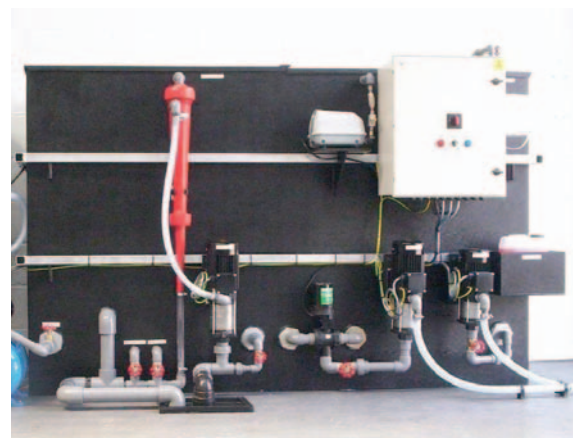
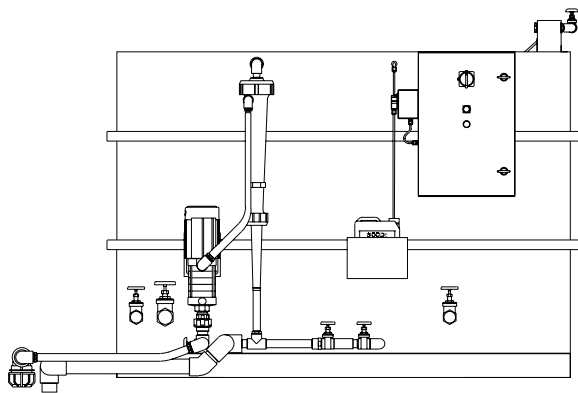


Units H-J, Little Moor Lane, Loughborough, Leicestershire LE11 1SF
t/f: 01509 237 486 e: info@workingwater.co.uk

Water Recycling and Rain Water Harvesting Specialists

Partial Water Reclaim Systems

Installing a water recycling system to your wash facility can reduce your mains water costs by up to 80%, alleviate drainage issues and reduce the impact on the environment. The addition of rain water harvesting can further reduce washing costs. We have a range of partial reclaim systems for both car and commercial wash applications or we can manufacture a bespoke system to best meet your needs.



System Description

The wash effluent is drained into a below ground interceptor where heavy solids settle out and free oils are held back by the tanks internal baffles.

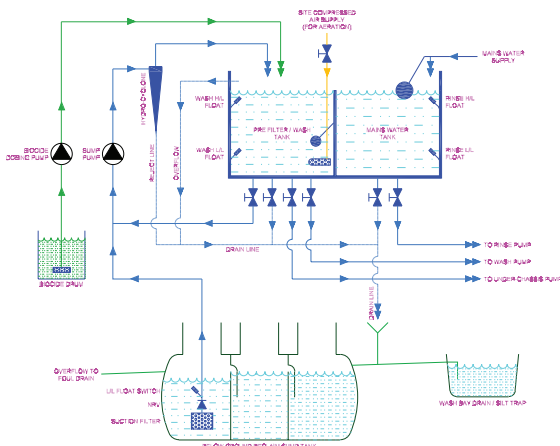
From the interceptor the water is drawn above ground and pumped through a hydro-cyclone before being discharged into the Wash Water Storage tank.

The hydro-cyclone removes particles heavier than water and discharge them back to the sump tank to settle out.

This water is the 'Wash Water' and is used for all the washing and under-chassis processes.

The 'Mains Water Tank' is fitted with a mains water ballcock which automatically replenishes any water used for rinsing. The system is fitted with a Type A air gap to conform to water bylaws.

To reduce bacterial problems, the system is fitted with a biocide dosing system and aeration as standard.



This product is on the Enhanced Capital Allowance (ECA) Scheme's Water Technology List



Authorised User No. 01381



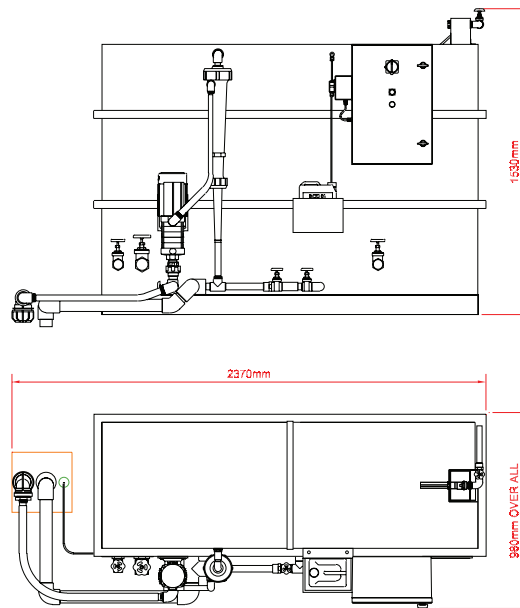
Partial Water Reclaim Systems

Systems Includes As Standard

- Fully pre-assembled for quick installation
- Polyethylene tank fabrication
- Recycled & mains water storage tanks
- Sump pump
- Hydro-cyclone filtration
- Type 'A' air gap
- Aeration diffusers
- Biocide dosing system
- Compact face mounted pumps
- Automated control system

Layout Drawing

Layout drawing of system PE1



Optional Extras

- Rain water harvesting
- Sand filters
- Interceptor tanks
- Monitoring & alarm systems

STANDARD PLANT DETAILS					
System	Reclaimed Water (m ³ /hour)	Layout L X W X H (metres)	Wash Tank Capacity (litres)	Rinse Tank Capacity (litres)	Delivery Weight (kg)
PE1	6	2.5 x 1.0 x 1.5	650	650	260
PE2	12	2.5 x 1.3 x 1.5	650	650	280
PE3	18	2.5 x 1.3 x 1.5	650	650	300