



workingwater

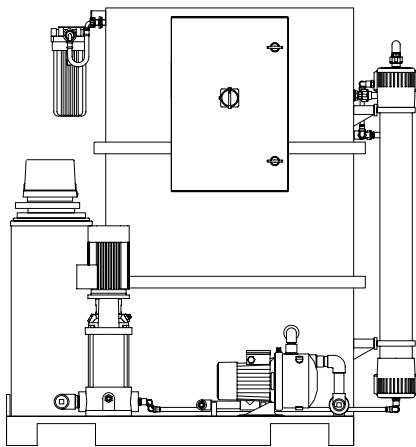


Units H-J, Little Moor Lane, Loughborough, Leicestershire LE11 1SF
t/f: 01509 237 486 e: info@workingwater.co.uk

Water Recycling and Rain Water Harvesting Specialists

Reverse Osmosis Systems

Installing a reverse osmosis (RO) system will provide your wash with the highest quality rinse water, removing the spotting and streaking associated with tap water. The resulting crystal clean rinse will ensure your customers return again and again. RO water also has the added benefit of improving the drying quality due to the 'beading' effect of RO water.



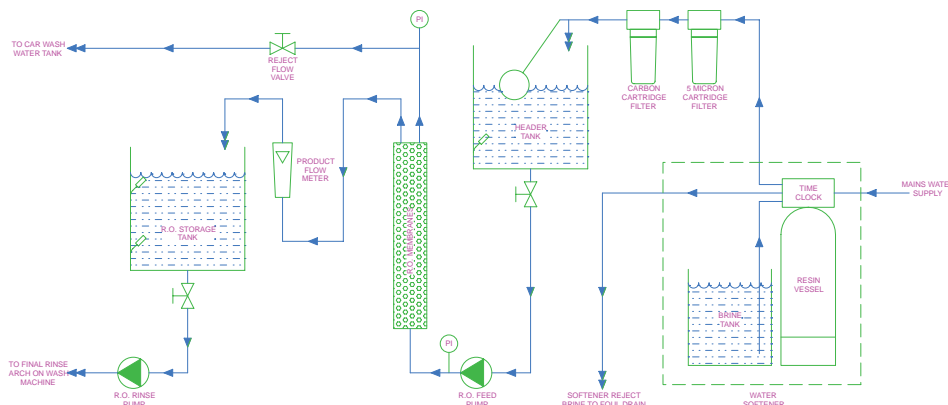
System Description

Tap water is first pre-treated with an ion exchange water softener, a 5 micron cartridge filter and a carbon cartridge filter to protect the RO membranes by removing particulates and chlorine.

The pre-treated water is pumped through the RO membranes. The membranes produce 2 types of water in roughly equal quantities.

The demineralised RO water is stored in the RO water storage tank for use on the vehicle wash machines final spot-free rinse arch.

The reject water, which is high in mineral content, is added to the wash water storage tank where it will be used for the washing processes, thereby preventing this water being wasted.

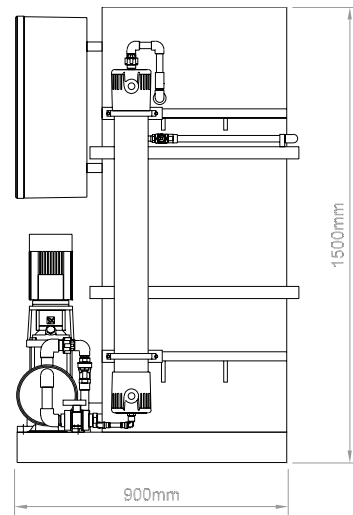
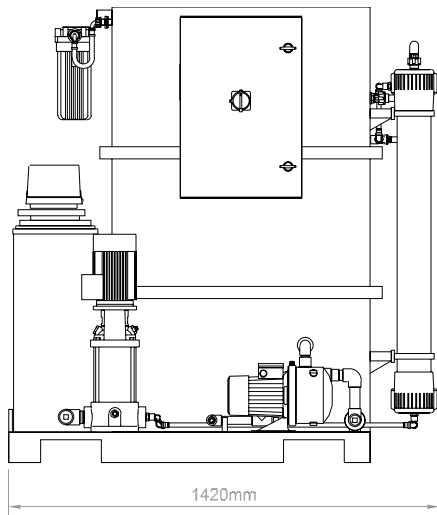


Reverse Osmosis Systems

Systems Includes As Standard

- Fully pre-assembled for quick installation
- Polyethylene skid/tank fabrication
- Water softener
- 5 micron & carbon cartridge filters
- Header tank
- RO water storage tank (460 lt)
- RO feed pump & RO rinse pump
- Automated control system

Layout Drawing



Optional Extras

- Increased RO water storage
- Increased rinse pump capacity
- Softener salt level alarm
- Water quality monitor & alarm

STANDARD PLANT DETAILS					
System	R.O. Production (litres/hour)	Layout L X W X H (metres)	Power Requirements	Mains Water	Delivery Weight
ROE5	300	1.42 x 0.9 x 1.5	10 amp TPN & E	3/4" BSP	230
ROE10	600	1.42 x 0.9 x 1.5	10 amp TPN & E	3/4" BSP	255
ROE15	900	1.42 x 0.9 x 1.5	10 amp TPN & E	3/4" BSP	280